



# HT HI TECH POLYMERS OY



HSS single grommets



VET single grommets



HTL single grommets



HTT single grommets



HTC IP65 multigrommets



HTKC IP65 multigrommets



RIT IP65 multigrommets



HTB IP65 multigrommets



HIK IP54 multigrommets



HTX IP54 grommets

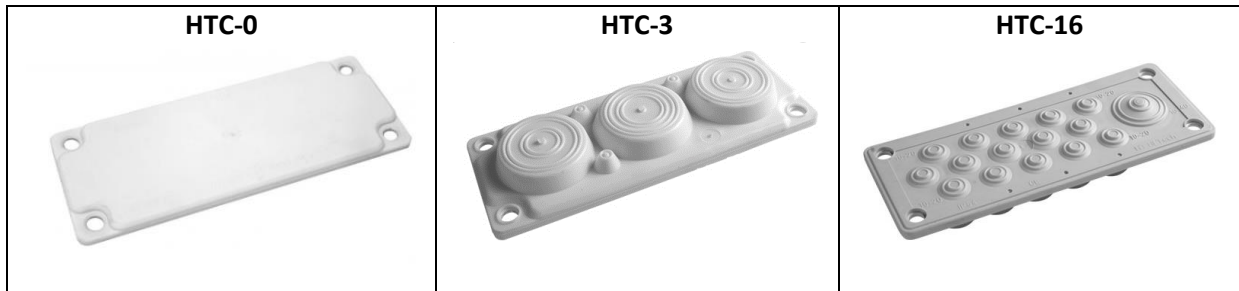


KUPO IP54 grommets



Custom made items

# HTC Series

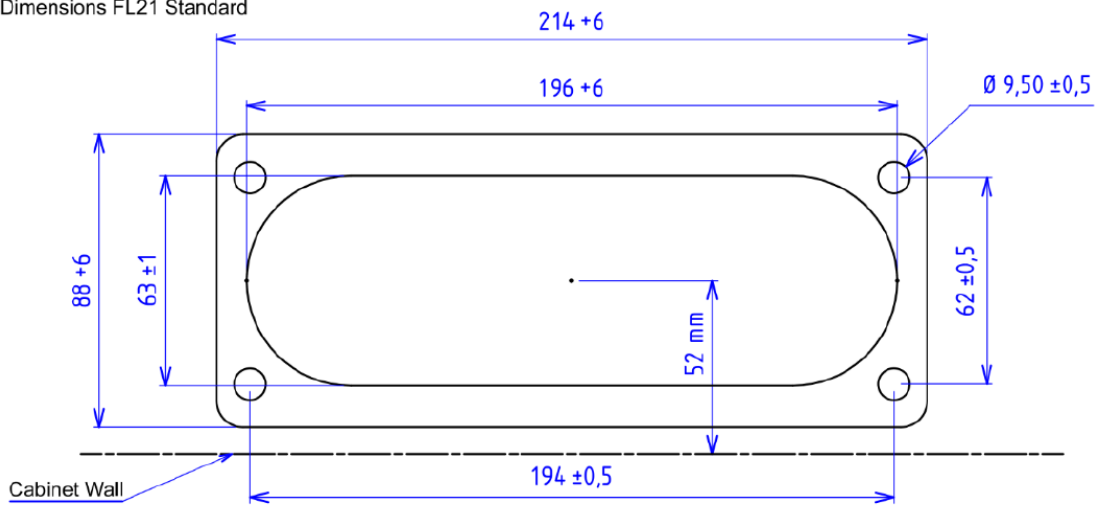


Code	TPE-SEBS 50 Sha	HTC-0-7035	HTC-3-7035	HTC-16-7035
	TPE-SEBS 50 Sha V-0	HTC-0-V0-7035	HTC-3-V0-7035	HTC-16-V0-7035
Operating temperature		-40°C - +100°C	-40°C - +100°C	-40°C - +100°C
IP class		IP 65	IP 65	IP 65
Color		Grey RAL 7035	Grey RAL 7035	Grey RAL 7035
Number of cables		0	2 pc 24mm - 54mm 1 pc 30mm - 59mm 3 pc 6mm - 14mm	1 pc D-40 mm 15 pc D-20mm
Weight (kg)		0.17	0.229	0.17
Mounting hole size		FL21	FL21	FL21

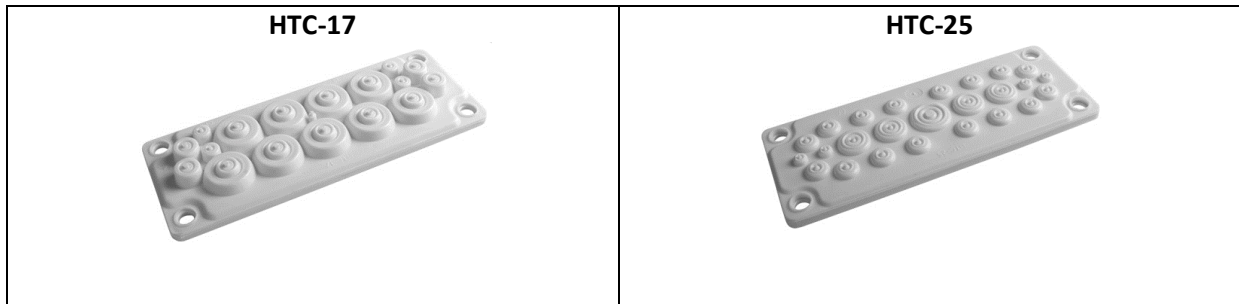
\*Fixing pins are included

\*All multigates are available in black and white colors

Dimensions FL21 Standard



# HTC Series

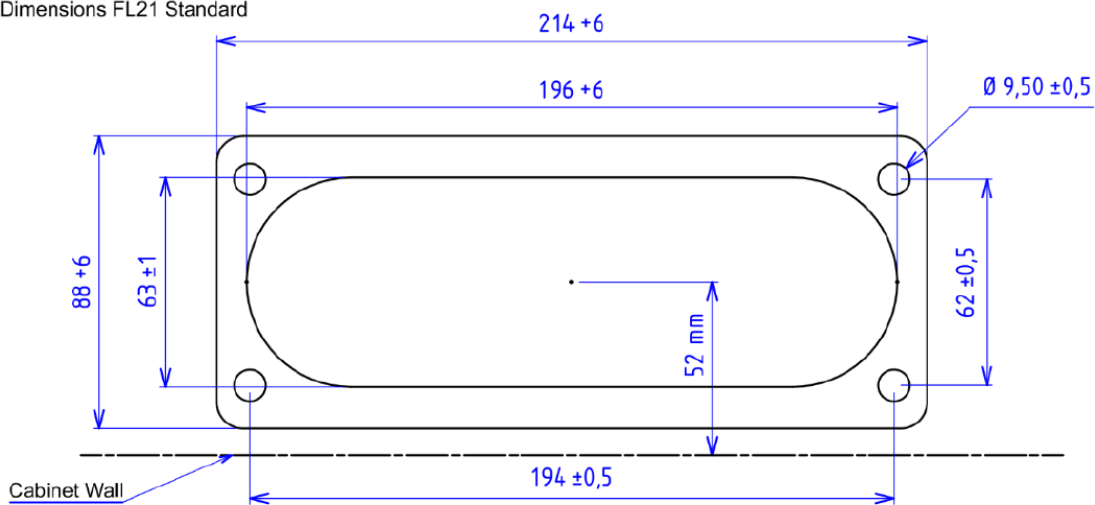


Code	TPE-SEBS 50 Sha	HTC-17-7035	HTC-25-7035
	TPE-SEBS 50 Sha V-0	HTC-17-V0-7035	HTC-25-V0-7035
Operating temperature		-40°C - +100°C	-40°C - +100°C
IP class		IP 65	IP 65
Color		Grey RAL 7035	Grey RAL 7035
Number of cables		9 pc 18mm - 30mm or 10mm - 14mm 4 pc 10mm - 15mm 4 pc 5mm - 10mm	1 pc 20mm - 26mm IP65 or 12mm - 15mm IP55 16pc 8mm - 14mm IP65 or 7mm - 10mm IP55 4pc 14mm - 20mm IP65 or 5mm - 10mm IP55 4 pc 5 mm - 7 mm IP65
Weight (kg)		0.201	0.198
Mounting hole size		FL21	FL21

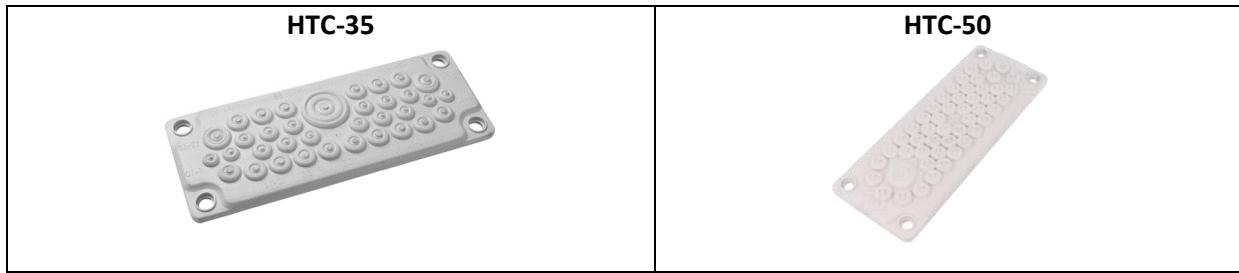
\*Fixing pins are included

\*All multigates are available in black and white colors

Dimensions FL21 Standard



# HTC Series



Code	TPE-SEBS 50 ShA	HTC-35-7035	HTC-50-7035
	TPE-SEBS 50 Sha V-0	HTC-35-V0-7035	HTC-50-V0-7035
Operating temperature	-40°C - +100°C		-40°C - +100°C
IP class	IP 65		IP 65
Color	Grey RAL 7035		Grey RAL 7035
Number of cables	1 pc 17mm - 32mm 2 pc 12mm - 18mm 16 pc 10mm - 14mm 12 pc 7mm - 12mm 4 pc 6mm - 10mm		49 pc 7mm - 13mm 1 pc 15mm - 25mm
Weight (kg)	0.237		0.201
Mounting hole size	FL21		FL21

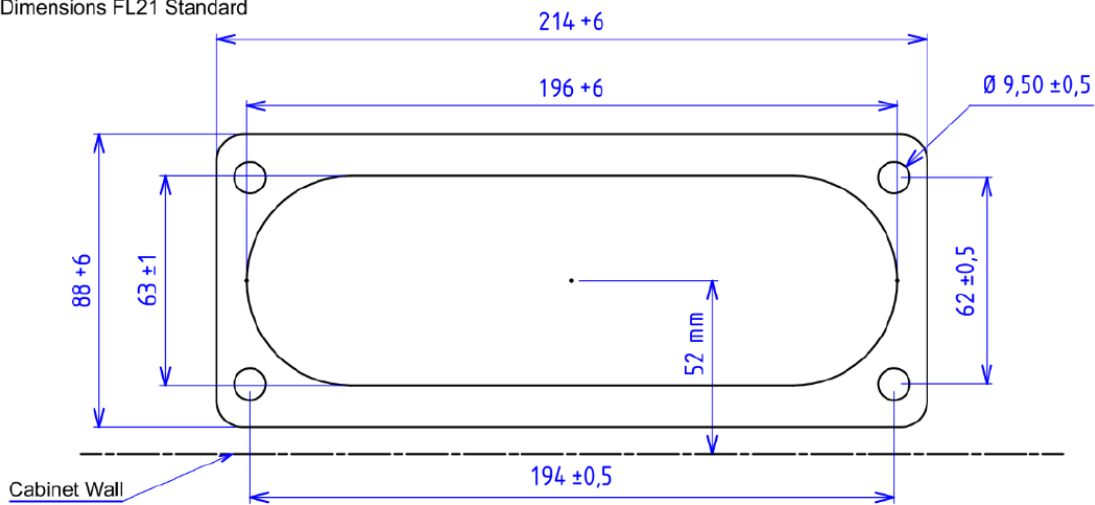
\*Fixing pins are included

\*All multigates are available in black and white colors

# HTKC Series

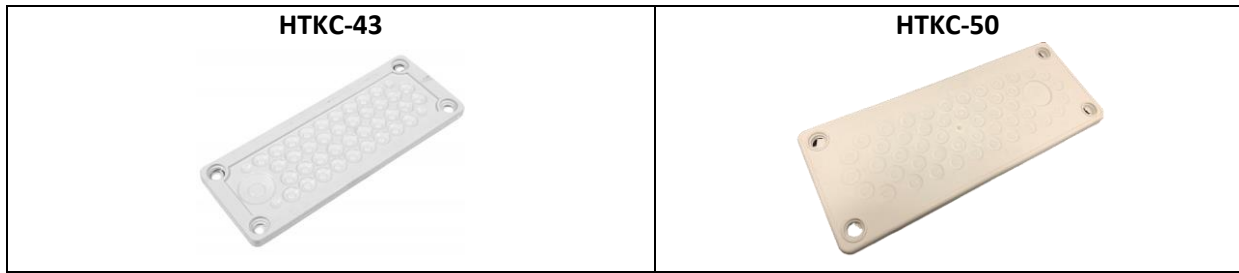


Dimensions FL21 Standard



Code	TPE-SEBS 50 ShA	HTKC-25-7035	HTKC-28-7035	HTKC-36-7035
	TPE-SEBS 50 Sha V-0	HTKC-25-V0-7035	HTKC-28-V0-7035	HTKC-36-V0-7035
Operating temperature		-40°C - +100°C	-40°C - +100°C	-40°C - +100°C
IP class		IP 65	IP 65	IP 65
Color		Grey RAL 7035	Grey RAL 7035	Grey RAL 7035
Number of cables		1 pc 20mm - 26mm IP65 or 12mm - 15mm IP55 16pc 8mm - 14mm IP65 or 7mm - 10mm IP55 4 pc 14mm - 20mm IP 65 or 5mm - 10mm IP55 4 pc 5 mm - 7 mm IP65	18 pc 6mm - 13mm 6 pc 13mm - 28mm 4 pc 3mm - 11mm	4 pc 4mm - 8mm 4 pc 6mm - 10mm 12 pc 7mm - 12mm 14 pc 10mm - 14mm 2 pc 12mm - 18mm 1 pc 17mm - 32mm
Weight (kg)		0.196	0.196	0.196
Mounting hole size		FL21	FL21	FL21

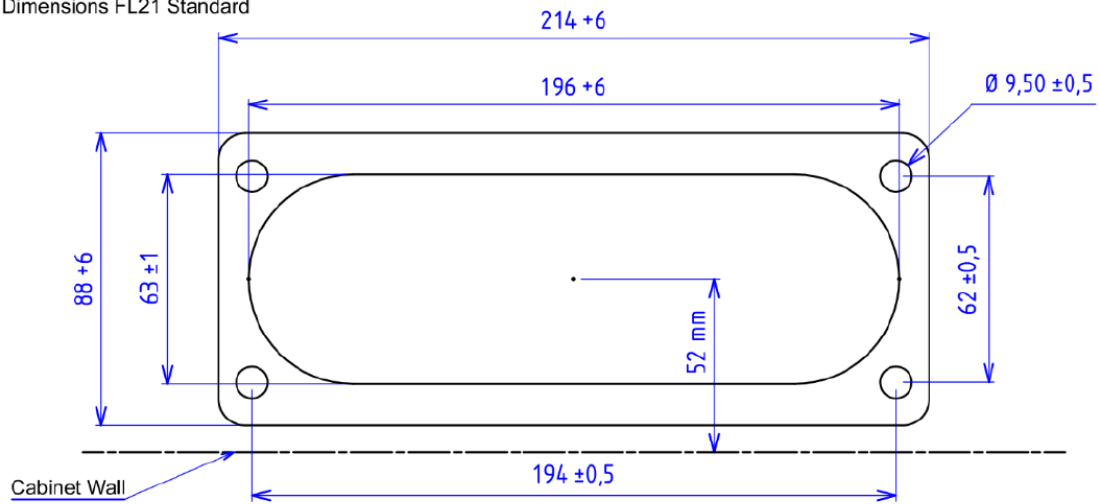
# HTKC Serie



\*Fixing pins are included

\*All multigates are available in black and white colors

Dimensions FL21 Standard



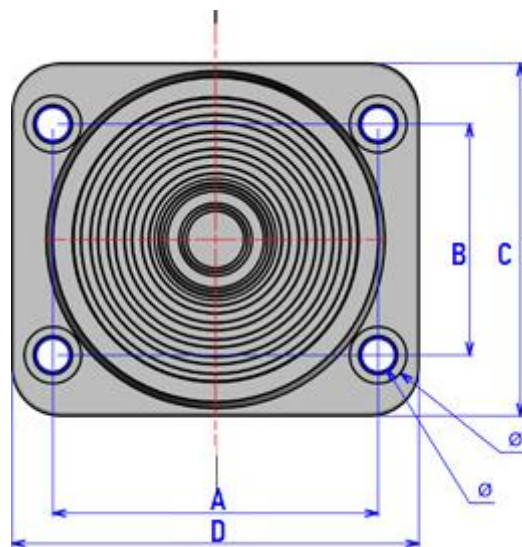
Code	TPE-SEBS 50 Sha	HTKC-43-7035	HTKC-50-7035
	TPE-SEBS 50 Sha V-0	HTKC-43-V0-7035	HTKC-50-V0-7035
Operating temperature		-40°C - +100°C	-40°C - +100°C
IP class		IP 65	IP 65
Color		Grey RAL 7035	Grey RAL 7035
Number of cables		4 pc 4mm - 10.5mm 38pc 7mm - 12.5mm 1 pc 14mm - 27.5mm	49 pc 7mm - 12mm 1 pc 14mm - 25mm
Weight (kg)		0.193	0.193
Mounting hole size		FL21	FL21

# Kupo Series



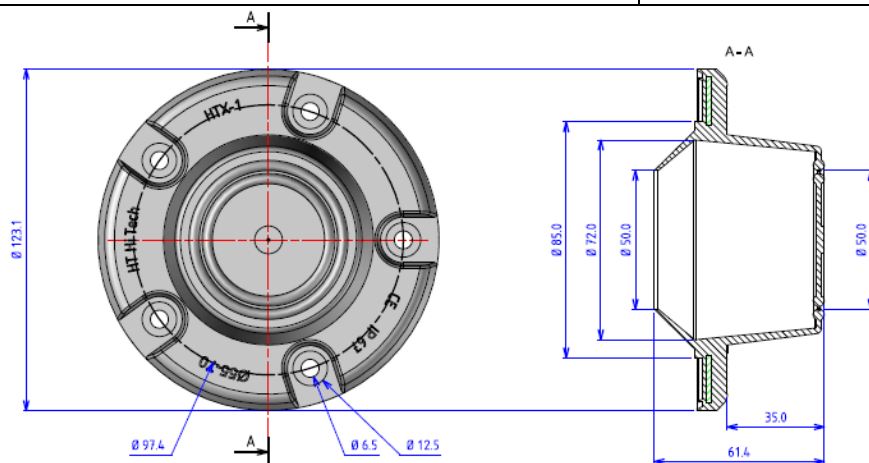
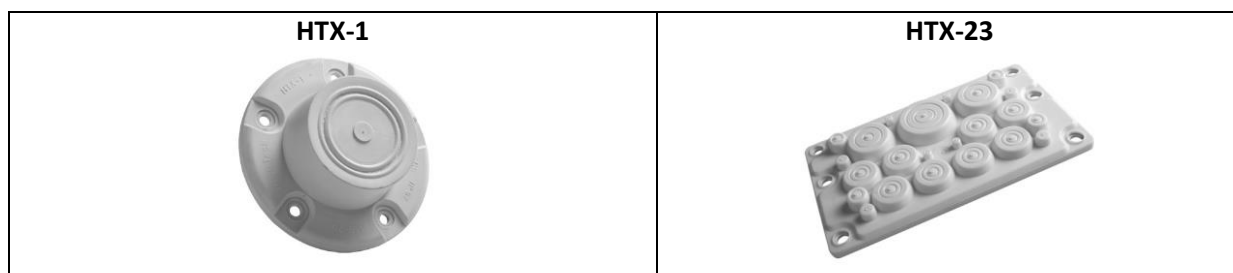
\*Fixing pins are included

\*All multigates are available in black and white colors



Code	KUPO-M	KUPO-G	KUPO-L
Material	TPE-SEBS 50 ShA	TPE-SEBS 50 ShA	TPE-SEBS 50 ShA
Operating temperature	-40°C - +100°C	-40°C - +100°C	-40°C - +100°C
IP class	IP 65	IP 65	IP 65
Color	Black RAL 9005	Black RAL 9005	Black RAL 9005
Weight (kg)	0.17	0.22	0.34
Mounting hole (mm) $\emptyset$	6	8	8
A/B (mm)	70.5/61	80/57	110/86
C/D (mm)	87/84	111/88	125/125

# HTX Series



Code	TPE-SEBS 50 Sha	HTX-1-7035	HTX-23-7035
	TPE-SEBS 50 Sha V-0	HTX-1-V0-7035	HTX-23-V0-7035
Operating temperature		-40°C - +100°C	-40°C - +100°C
IP class		IP 67	IP 55
Color		Grey RAL 7035	Grey RAL 7035
Number of cables		1 pc 55mm - 70mm	1 pc 33mm - 48mm or 18mm - 15mm 2 pc 25mm - 40mm or 16mm - 10mm 8 pc 18mm - 30mm or 10mm - 14mm 4 pc 10mm - 14mm 4 pc 5mm - 10mm 4 pc 3.5mm - 5mm
Weight (kg)		0.186	0.25
Size (mm)		Diameter 123.1	216x126
Hole pattern (mm)			40/103/194
Hole size (mm)			10

\*All multigates are available in black and white colors



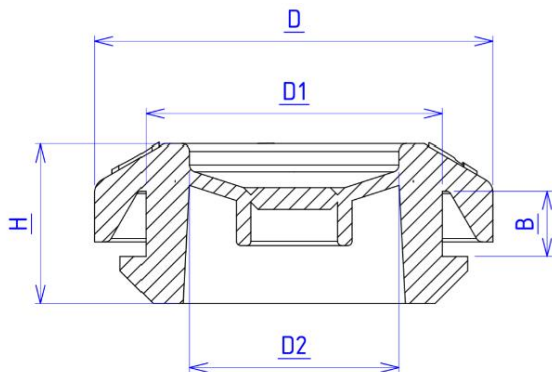
# RIT Series



Code	TPE-SEBS 50 Sha	RIT-50-7035	RIT-96-7035	RIT-139-7035
	TPE-SEBS 50 Sha V-0	RIT-50-V0-7035	RIT-96-V0-7035	RIT-139-V0-7035
Operating temperature		-40°C - +100°C	40°C - +100°C	40°C - +100°C
IP class		IP 65	IP 65	IP 65
Color		Grey RAL 7035	Grey RAL 7035	Grey RAL 7035
Number of cables		2 pc 19mm - 34mm 4 pc 16mm - 25mm 2 pc 15mm - 21mm 26 pc 10mm - 15mm 16 pc 6mm - 11mm		1 pc x 30mm – 60mm 9 pc x 15mm – 24mm 129 pc x 10mm – 15mm
Weight (kg)		0.302	0.502	0.816
Size (mm)		330x90	339x149	534x147
Hole size (mm)		5	6	7

\*All multigates are available in black and white colors

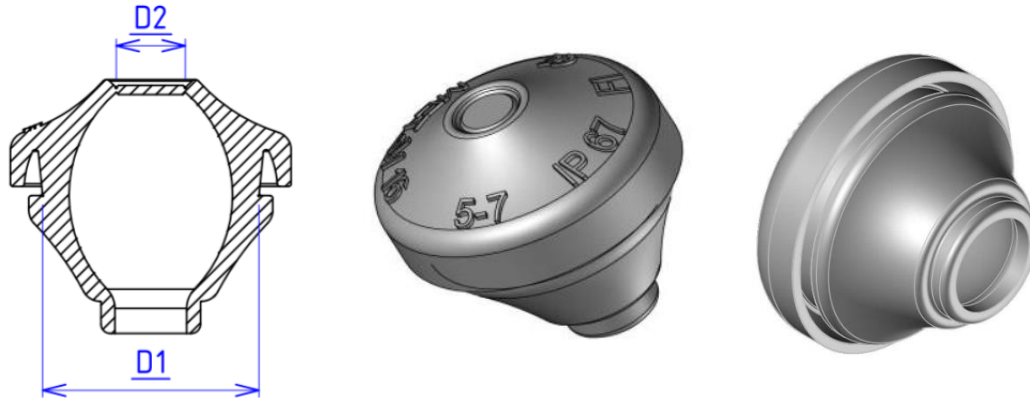
# HSS Grommets



Code	D (mm)	D1 (mm)	D2 (mm)	H (mm)	B (mm)	Weight (kg)
HSS-PG16-7035	32.5	23	10-14	11	1.0-4.5	0.003
HSS-M9-7035	18	9	2-7	9	1.0-3.5	0.001
HSS-M12-7035	22	12	3-5	11	1.5-4.5	0,002
HSS-M16-7035	23.5	16	5-10	11	1.5-4.5	0.003
HSS-M20-7035	27.5	20	7-12	11	1.5-4.5	0.004
HSS-M25-7035	32.5	25	8-15	11	1.5-4.5	0.005
HSS-M32-7035	44	32	14-20	15	1.5-4.5	0.01
HSS-M40-7035	53	40	20-28	15	1.5-4.5	0.014
HSS-M50-7035	65	50	27-35	21	1.5-5.5	0.024
HSS-M60-7035	79	60	24-45	21	1.5-5.5	0.036
HSS-M80-7035	100	80	40-60	21	1.5-5.5	0.064
HSS-M100-7035	122	100	52-90	21	1.5-6.0	0.098
HSS-M120-7035	142	120	70-100	26	1.5-6.0	0.128

Operating temperature	-40°C - +100°C
IP class	IP 67
Color	Grey RAL 7035

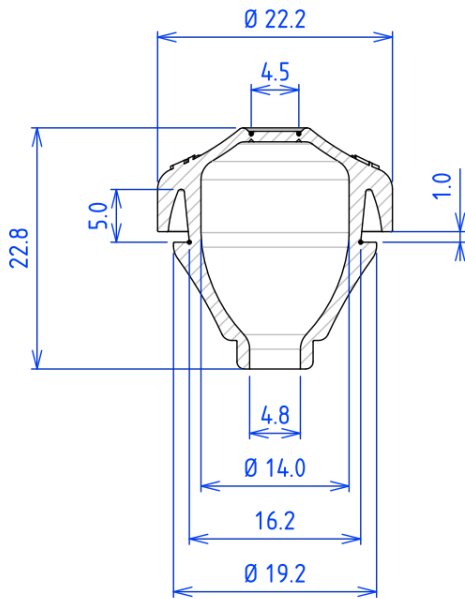
# MET Grommets



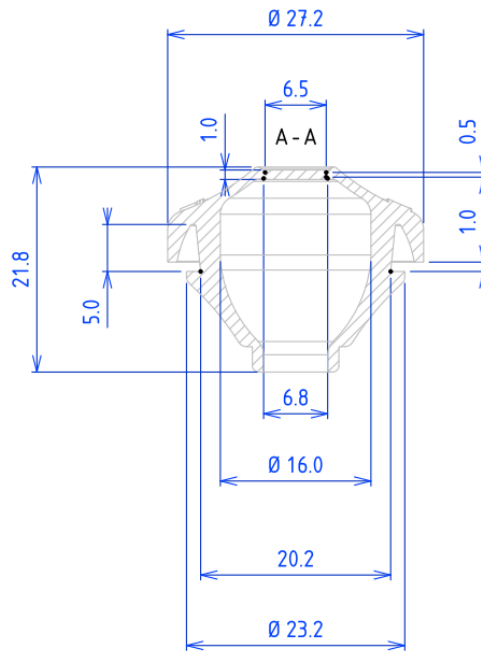
Code	Name
MET-M16-7035	Single grommet M16 /PG9 Cable 5-7mm IP67 RAL 7035
MET-M20-7035	Single grommet M20 PG13.5 Cable 7-10mm IP67 RAL 7035
MET-M23-7035	Single grommet M23 /PG16 Cable 8-14mm IP67 RAL 7035
MET-M32-7035	Single grommet M32 Cable 14-20mm IP67 RAL 7035
MET-M38-7035	Single grommet M38 /PG29 Cable 20-26mm IP67 RAL 7035
MET-M48-7035	Single grommet M48/PG36 Cable 26-35mm IP67 RAL 7035
MET-M60-7035	Single grommet M60 Cable 35-40mm IP67 RAL 7035
MET-M80-7035	Single grommet M80 PG36 Cable 40-60mm IP67 RAL 7035

Operating temperature	-40°C - +100°C
IP class	IP 67
Color	Grey RAL 7035
Material	TPE-SEBS, TPE-SEBS V0, halogen free

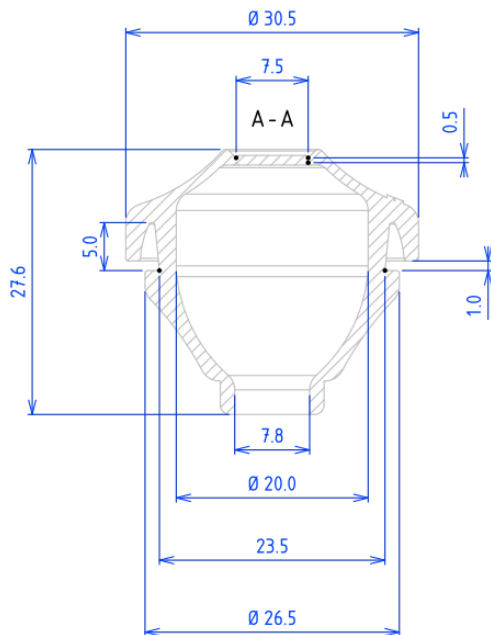
**MET M16**



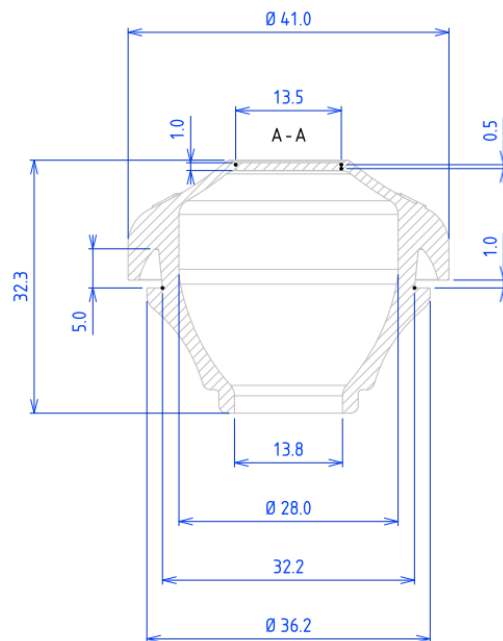
**MET M20**



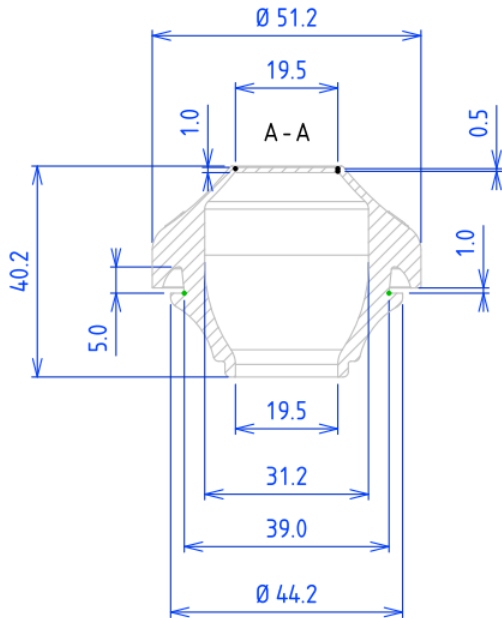
**MET M23**



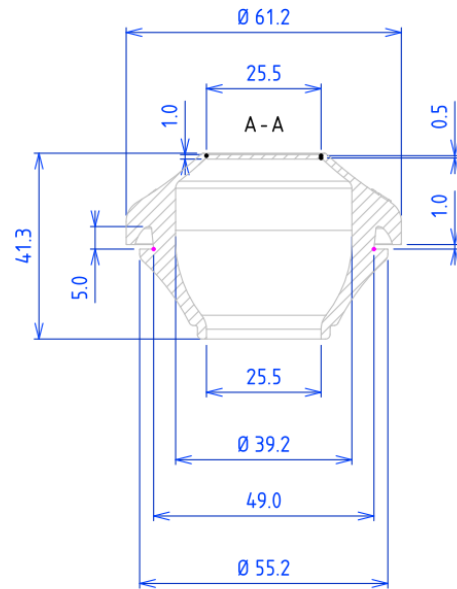
**MET M23**



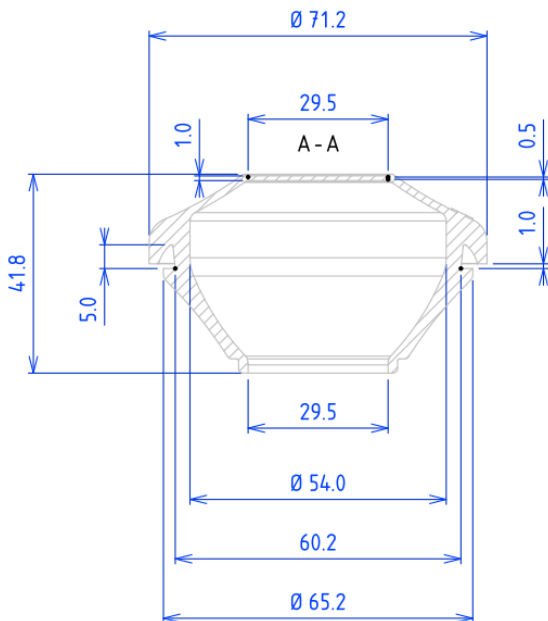
**MET M38**



**MET M48**



**MET M60**



**MET M80**

